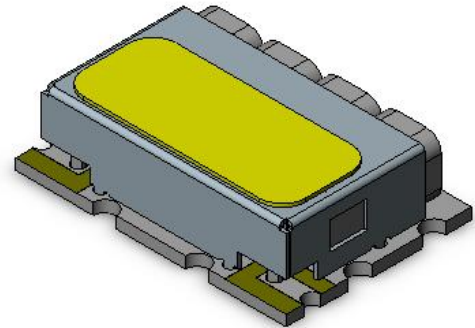


GPS L1 Filter

IDBP29-1575.42-16-4-0-S11H-Z-Z-T20-N2

Features/Benefits

- High Q ceramic
- Low cost
- Small size
- Surface mount
- RoHS-compliant version available



Parameter	Specification
IMC PN	938657, 4mm, 4-pole Ceramic bandpass filter
Center Frequency (Fo)	1575.42 MHz
Passband (PB)	Fo ± 5MHz, min
Insertion Loss	< 4.5 dBa @ Fo < 3.0 dBc over 1567.42MHz to 1583.42MHz
Return Loss	14 dB over PB 9.5dB over Fo ± 10MHz
Rejection	-3 dBc over Fo ± 12MHz -45 dBc min from 1MHz to 1500.42MHz -45 dBc min from 1650.42MHz to 3000MHz
Group Delay	36ns to 40ns @ Fo 5ns variation over Fo ± 5MHz 20ns variation over Fo ± 10MHz
Package	SMT
Temperature, Operating	-40C to +85C
Temperature, Storage	-55C to +125C
Temperature, Soldering	+215C MAX (use convective reflow)
Mechanical Dimensions	0.730 x 0.500 x 0.210 inches [18.54 x 12.70 x 5.33 mm ³]

