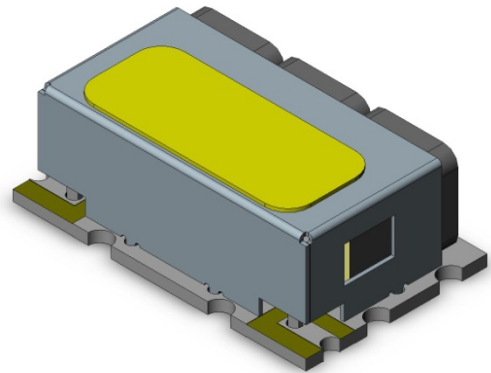


GPS L1 Filter

IDBP33-1575-32-3-0-S11H-Z-Z-T20-N2

Features/Benefits

- High Q ceramic
- Low cost
- Low insertion loss
- Surface mount
- RoHS-compliant version available



Parameter	Specification												
IMC PN	938661, 6mm, 3-pole Ceramic bandpass filter												
Center Frequency (Fo)	1575.42 MHz												
Passband (PB)	F0 ± 6MHz												
Insertion Loss	< 1.25 dBa @Fo < 0.5 dBc over PB												
Return Loss	14 dB over PB												
Linear Phase Deviation	5 Degree Peak to Peak over PB												
Rejection	<table border="0"> <tr> <td>-15 dBc min @ 1525.42MHz</td> <td>-40 dBc min @ 1710.42MHz</td> </tr> <tr> <td>-52 dBc min @ 2000MHz</td> <td>-52 dBc min @ 960MHz</td> </tr> <tr> <td>-19 dBc min @ Fo ± 60MHz</td> <td>-32 dBc min @ 1315MHz</td> </tr> <tr> <td>-24 dBc min @ Fo ± 70MHz</td> <td>-19 dBc min @ 1625.42MHz</td> </tr> <tr> <td>-32 dBc min @ Fo ± 100MHz</td> <td>-40 dBc min over 2000MHz to 2500MHz</td> </tr> <tr> <td>-40 dBc min @ 1445.42MHz</td> <td></td> </tr> </table>	-15 dBc min @ 1525.42MHz	-40 dBc min @ 1710.42MHz	-52 dBc min @ 2000MHz	-52 dBc min @ 960MHz	-19 dBc min @ Fo ± 60MHz	-32 dBc min @ 1315MHz	-24 dBc min @ Fo ± 70MHz	-19 dBc min @ 1625.42MHz	-32 dBc min @ Fo ± 100MHz	-40 dBc min over 2000MHz to 2500MHz	-40 dBc min @ 1445.42MHz	
-15 dBc min @ 1525.42MHz	-40 dBc min @ 1710.42MHz												
-52 dBc min @ 2000MHz	-52 dBc min @ 960MHz												
-19 dBc min @ Fo ± 60MHz	-32 dBc min @ 1315MHz												
-24 dBc min @ Fo ± 70MHz	-19 dBc min @ 1625.42MHz												
-32 dBc min @ Fo ± 100MHz	-40 dBc min over 2000MHz to 2500MHz												
-40 dBc min @ 1445.42MHz													
Group Delay	5ns Max variation over PB												
Package	SMT												
Temperature, Operating	-40C to +85C												
Temperature, Storage	-55C to +125C												
Temperature, Soldering	+215C MAX (use convective reflow)												
Mechanical Dimensions	0.810 x 0.500 x 0.290 inches [20.57 x 12.70 x 7.37 mm ³]												

