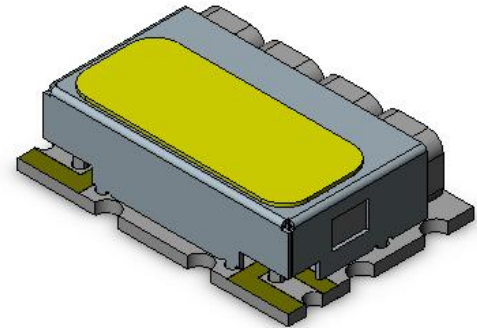


## GPS L2 Filter

IDBP29-1227.6-16-4-0-S11H-Z-Z-T20-N2

### Features/Benefits

- High Q ceramic
- Low cost
- Small size
- Surface mount
- RoHS-compliant version available



Parameter	Specification
<b>IMC PN</b>	<b>938662, 4mm, 4-pole Ceramic bandpass filter</b>
Center Frequency (Fo)	1227.6 MHz
Passband (PB)	F0 ± 5MHz, min
Insertion Loss	< 4.5 dBa @ Fo < 3.0 dBc over Fo ± 8MHz
Return Loss	14 dB over PB 9.5dB over Fo ± 10MHz
Rejection	-3 dBc over Fo ± 12MHz -45 dBc min from 1MHz to 1152.6MHz -45 dBc min from 1302.6MHz to 3000MHz
Group Delay	36ns to 40ns @ Fo 5ns variation over PB 20ns variation between Fo ± 10MHz
Package	SMT
Temperature, Operating	-40C to +85C
Temperature, Storage	-55C to +125C
Temperature, Soldering	+215C MAX (use convective reflow)
Mechanical Dimensions	0.730 x 0.500 x 0.210 inches [18.54 x 12.70 x 5.33 mm <sup>3</sup> ]

