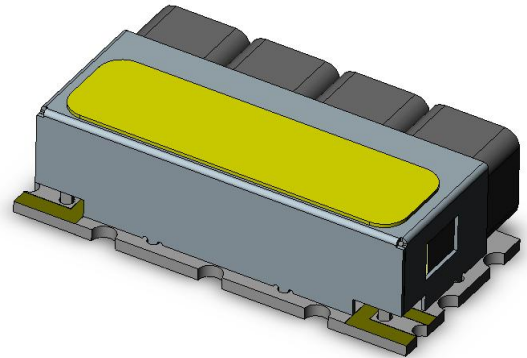


## GPS L2 Filter

IDBP39-1227.6-16-4-0-S11H-Z-Z-T20-N2

### Features/Benefits

- High Q ceramic
- Low cost
- Low insertion loss
- Surface mount
- RoHS-compliant version available



Parameter	Specification
<b>IMC PN</b>	<b>938663, 6mm, 4-pole Ceramic bandpass filter</b>
Center Frequency (Fo)	1227.6 MHz
Passband (PB)	F0 ± 10MHz
Insertion Loss	< 2.75 dBa @Fo < 0.8 dBc over PB < 8.5dBc over Fo ± 20MHz
Return Loss	14 dB over PB
Rejection	-7.5 dBc min @ Fo ± 20MHz -30 dBc min @ Fo ± 40MHz -43 dBc min @ Fo ± 60MHz
Group Delay	9ns Max variation over Fo ± 10MHz
Package	SMT
Temperature, Operating	-40C to +85C
Temperature, Storage	-55C to +125C
Temperature, Soldering	+215C MAX (use convective reflow)
Mechanical Dimensions	1.050 x 0.500 x 0.290 inches [26.67 x 12.70 x 7.37 mm <sup>3</sup> ]

