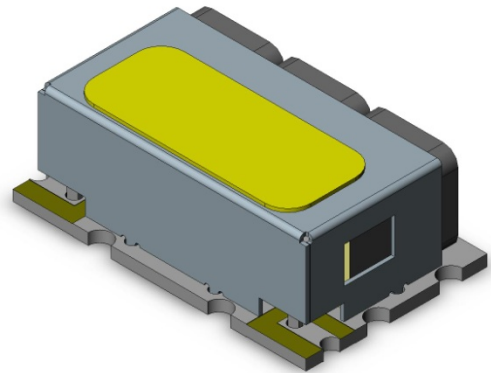


GPS L2 Filter

IDBP39-1227.6-24-3-0-S11H-Z-Z-T20-N2

Features/Benefits

- High Q ceramic
- Low cost
- Low insertion loss
- Surface mount
- RoHS-compliant version available



Parameter	Specification										
IMC PN	938665, 6mm, 3-pole Ceramic bandpass filter										
Center Frequency (Fo)	1227.6 MHz										
Passband (PB)	F0 ± 12MHz										
Insertion Loss	< 1.25 dBa @ Fo < 0.5 dBc over PB										
Return Loss	14 dB over PB										
Linear Phase Deviation	5 Degree Peak to Peak over PB										
Rejection	<table border="0"> <tr> <td>-19 dBc min @ 1177.6MHz</td> <td>-35 dBc min @ Fo ± 100MHz</td> </tr> <tr> <td>-52 dBc min @ 2000MHz</td> <td>-40 dBc min @ Fo ± 135MHz</td> </tr> <tr> <td>-32 dBc min @ 1315MHz</td> <td>-52 dBc min @ 960MHz</td> </tr> <tr> <td>-24 dBc min @ 1287.6MHz</td> <td>-24 dBc min @ 1167.6MHz</td> </tr> <tr> <td>-32 dBc min @ Fo ± 70MHz</td> <td>-40 dBc min over 2000MHz to 2500MHz</td> </tr> </table>	-19 dBc min @ 1177.6MHz	-35 dBc min @ Fo ± 100MHz	-52 dBc min @ 2000MHz	-40 dBc min @ Fo ± 135MHz	-32 dBc min @ 1315MHz	-52 dBc min @ 960MHz	-24 dBc min @ 1287.6MHz	-24 dBc min @ 1167.6MHz	-32 dBc min @ Fo ± 70MHz	-40 dBc min over 2000MHz to 2500MHz
-19 dBc min @ 1177.6MHz	-35 dBc min @ Fo ± 100MHz										
-52 dBc min @ 2000MHz	-40 dBc min @ Fo ± 135MHz										
-32 dBc min @ 1315MHz	-52 dBc min @ 960MHz										
-24 dBc min @ 1287.6MHz	-24 dBc min @ 1167.6MHz										
-32 dBc min @ Fo ± 70MHz	-40 dBc min over 2000MHz to 2500MHz										
Group Delay	5ns Max variation over PB										
Package	SMT										
Temperature, Operating	-40C to +85C										
Temperature, Storage	-55C to +125C										
Temperature, Soldering	+215C MAX (use convective reflow)										
Mechanical Dimensions	0.810 x 0.500 x 0.290 inches [20.57 x 12.70 x 7.37 mm ³]										

