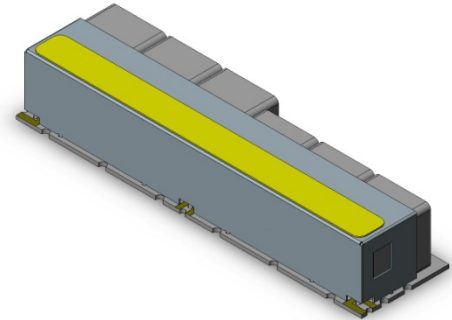


GPS Diplexer (L1, L2 band)

IDMX61-1227.6-1575.4-4-2-S11H-Z-Z-T20-N2



Features/Benefits

- High Q ceramic
- Low cost
- With notches
- 0.5dB insertion loss
- Surface mount
- RoHS-compliant version available

Parameter	Specification	
IMC PN	938666, 12mm, 6-pole total Ceramic bandpass Diplexer	
	L1 Channel	L2 Channel
Center Frequency (Fo)	1575.4 MHz (L1 band)	1227.6 MHz (L2 band)
Insertion Loss	< 0.5 dBa over PB	< 0.5 dBa over PB
Passband (PB)	1575.4 ± 10 MHz, min	1227.6 ± 10 MHz, min
Return Loss	14 dB over PB	14 dB over PB
Rejection	-30 dBc min @ 1050 MHz -20 dBc min @ 1401 MHz -15 dBc min @ 1710 MHz	-30 dBc min @ 1050 MHz -25 dBc min @ 1262 MHz -20 dBc min @ 1401 MHz -15 dBc min @ 1710 MHz
Group Delay Tracking	4 ns over PB	4 ns over PB
Package	SMT	
Temperature, Operating	-20C to +70C	
Temperature, Storage	-55C to +125C	
Temperature, Soldering	+215C MAX (use convective reflow)	
Mechanical Dimensions	2.900 x 0.800 x 0.530 inches [73.66 x 20.32 x 13.46 mm ³]	

