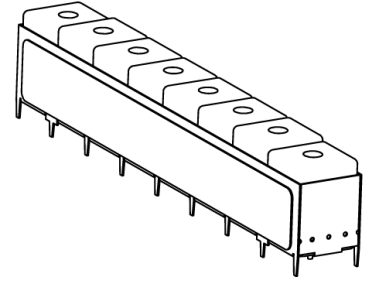


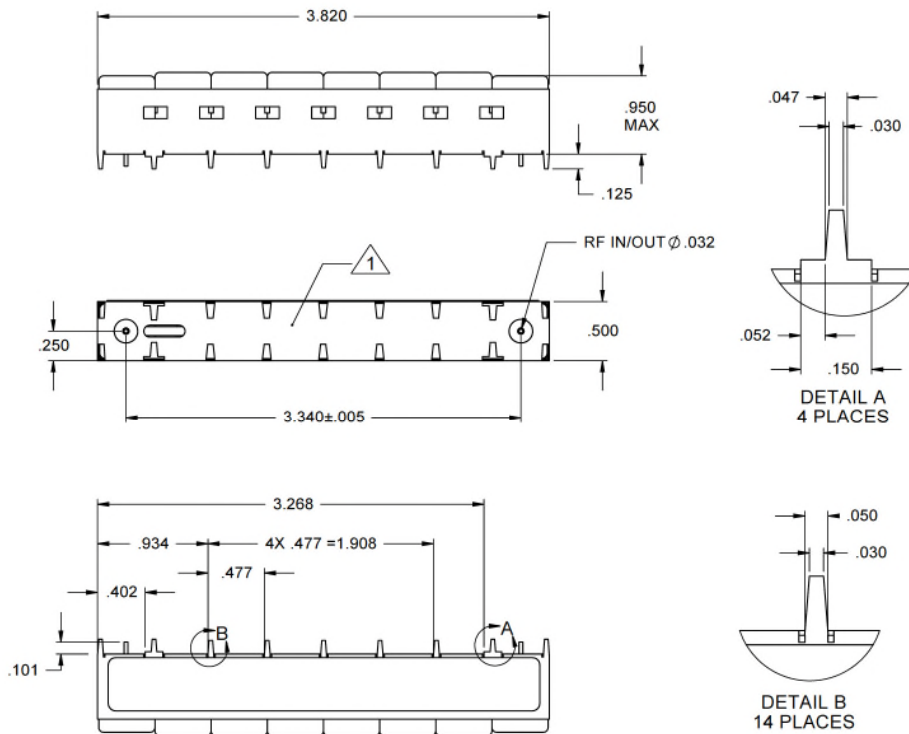
## 920 MHz Elliptic Ceramic Bandpass Filter

### Features/Benefits

- Elliptic Ceramic Bandpass Filter
- Low Cost
- RoHS-compliant version available
- Made in U.S.A.



Parameter	Specification
Center Frequency (Fo)	920 MHz
3.0 dBc Passband (PB)	910.5 to 929.5 MHz, min
Insertion Loss	-3 dBa max from 910.5 MHz to 929.5 MHz
Passband Variation	0.75 dBc max
Passband Ripple	0.5 dB max
VSWR	1.7:1 max @ 920 MHz
Rejection	-25 dBc min @ 900 MHz -35 dBc min @ 890 MHz
Package Outline	IMC Document Number 618974
Temperature, Operating	-20°C to +70°C
Temperature, Storage	-55°C to +125°C
Temperature, Soldering	Wave solder only
Mechanical Dimensions	3.820 x 0.500 x 0.950 MAX inches



NOTES:

1. UNDIMENSIONED FEATURES ARE SUBJECT TO VARIATION.

UNLESS OTHERWISE SPECIFIED  
DIMENSIONS ARE IN INCHES.  
TOLERANCES ARE:

INCHES	MILLIMETERS
.XX ± .02	[X.X] ± .5
.XXX ± .020	[X.XX] ± .51
.XXXX ± .0020	[X.XXXX] ± .051

This document contains IMC proprietary information and is to be used only for the purposes for which it has been supplied and is not to be duplicated or disclosed in whole or in part without written permission from a duly authorized representative of IMC.