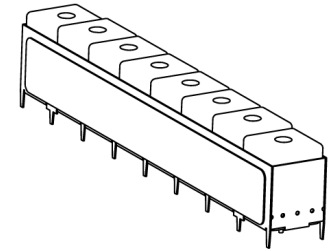


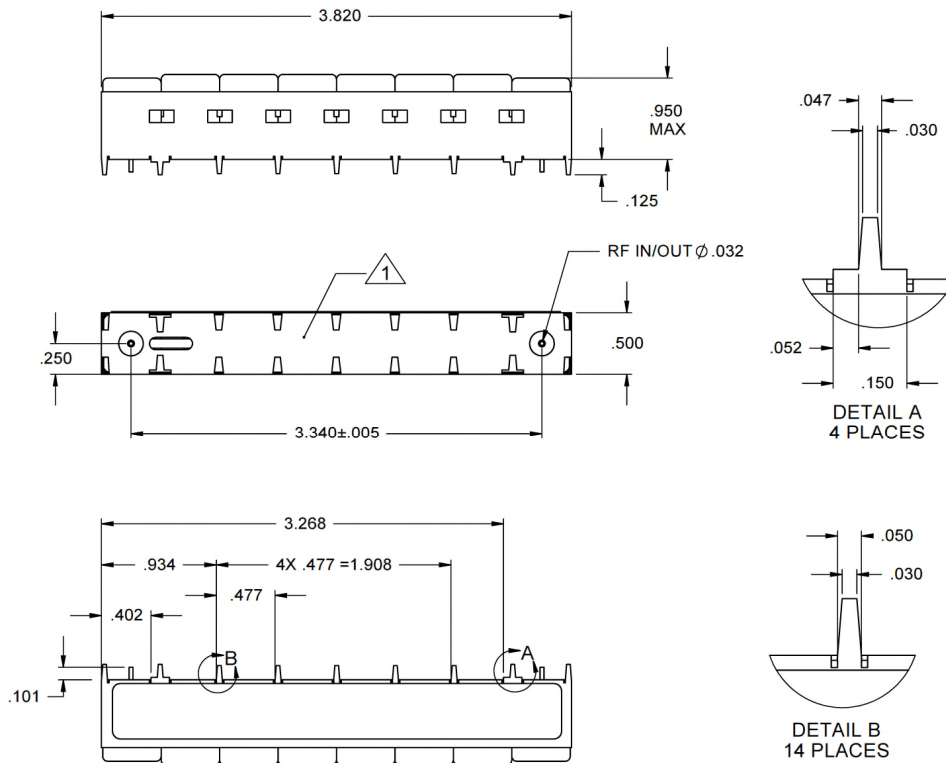
921.25 MHz Elliptic Ceramic Bandpass Filter



Features/Benefits

- Elliptic Ceramic Bandpass Filter
- Low Cost
- RoHS-compliant version available
- Made in U.S.A.

| Parameter | Specification |
|------------------------|---|
| Center Frequency (Fo) | 921.25 MHz |
| 3.0 dBc Passband (PB) | 916 to 926.5 MHz, min |
| Return Loss | -13 dB from 915 MHz to 928 MHz |
| Rejection | -28 dBc min @ 907 MHz -25 dBc min @ 929 MHz -30 dBc min @ 930 MHz -25 dBc min across 931 MHz to 2000 MHz |
| Package Outline | IMC Document Number 618974 |
| Temperature, Operating | -40°C to +85°C |
| Temperature, Storage | -55°C to +125°C |
| Temperature, Soldering | Wave solder only |
| Mechanical Dimensions | 3.820 x 0.500 x 0.950 MAX inches |



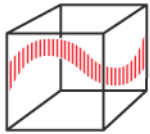
NOTES:

1. UNDIMENSIONED FEATURES ARE SUBJECT TO VARIATION.

UNLESS OTHERWISE SPECIFIED
DIMENSIONS ARE IN INCHES.
TOLERANCES ARE:

| INCHES | MILLIMETERS |
|---------------|---------------|
| .XX ± .02 | [X.X] ±.5 |
| .XXX ± .020 | [X.XX] ±.51 |
| .XXXX ± .0020 | [X.XXX] ±.051 |

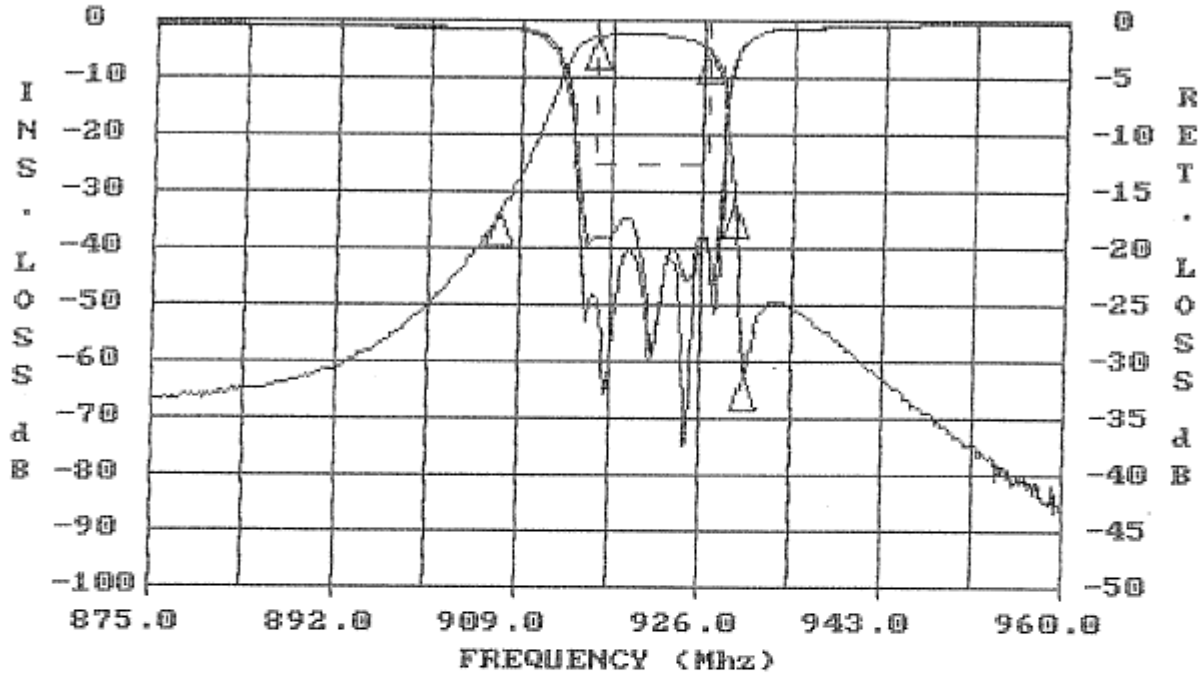
This document contains IMC proprietary information and is to be used only for the purposes for which it has been supplied and is not to be duplicated or disclosed in whole or in part without written permission from a duly authorized representative of IMC.



INTEGRATED MICROWAVE CO

IMC FSCM 60656

25 °C



IMC P/N 937968

REVISION -

TESTED BY 9668

06-09-2009

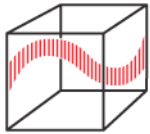
10:47:14

3/N

| FREQUENCY (MHZ) | VALUE | SPEC | COMMENTS |
|-----------------|-----------|-------------|----------|
| 907 | -31.4 dbC | -28 dbC MIN | |
| 929 | -30.3 dbC | -25 dbC MIN | |
| 930 | -59.1 dbC | -30 dbC MIN | |
| 916 - 926.5 | -4.99 dbA | -7 dbA MAX | |
| 916 - 926.5 | -2.44 dbC | -3 dbC MAX | |

| FREQUENCY (MHZ) | VALUE | SPEC | COMMENTS |
|-----------------|-------|--------------|--------------|
| 916 - 926.5 | -19.2 | -12.74db MIN | (S11) - VSWR |
| 916 - 926.5 | -17.3 | -12.74db MIN | (S22) - VSWR |

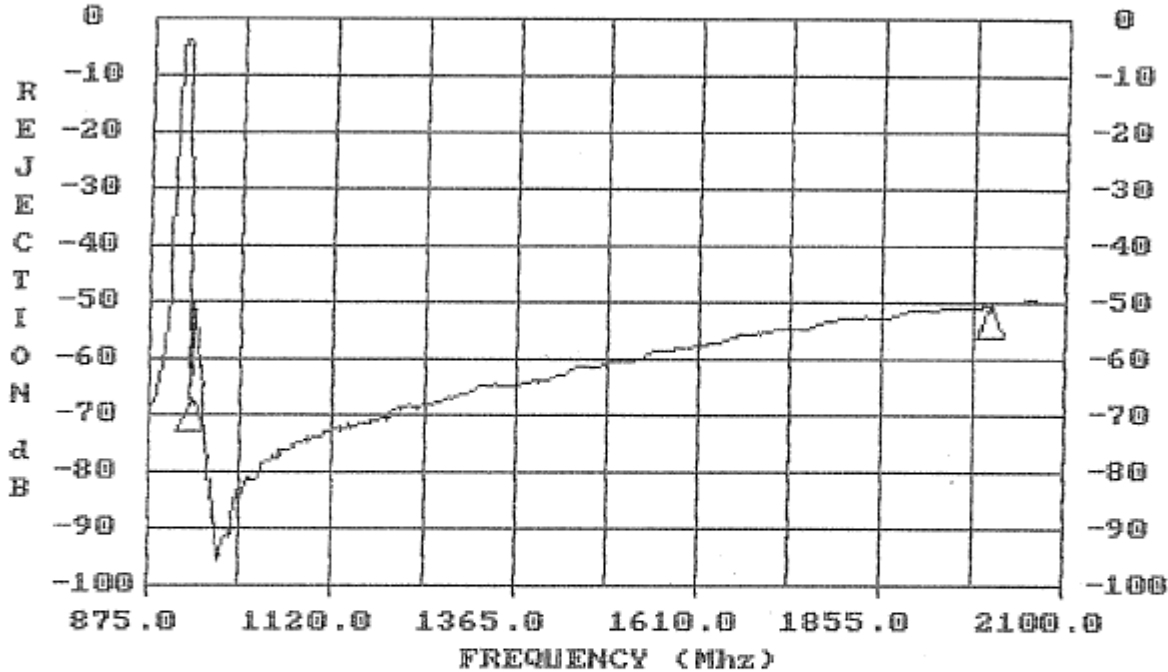
This document contains IMC proprietary information and is to be used only for the purposes for which it has been supplied and is not to be duplicated or disclosed in whole or in part without written permission from a duly authorized representative of IMC.



INTEGRATED MICROWAVE CO

IMC FSCM 60656

25 °C



IMC P/N 937968

REVISION -

TESTED BY 9668

06-09-2009

10:47:15

S/N

| FREQUENCY (MHZ) | VALUE | SPEC | COMMENTS |
|-----------------|-----------|-------------|----------|
| 931 - 2000 | -47.6 dbc | -28 dbc MIN | |

This document contains IMC proprietary information and is to be used only for the purposes for which it has been supplied and is not to be duplicated or disclosed in whole or in part without written permission from a duly authorized representative of IMC.