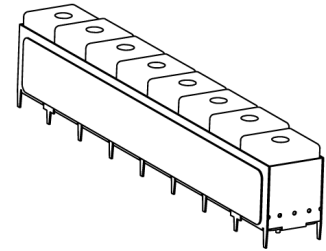


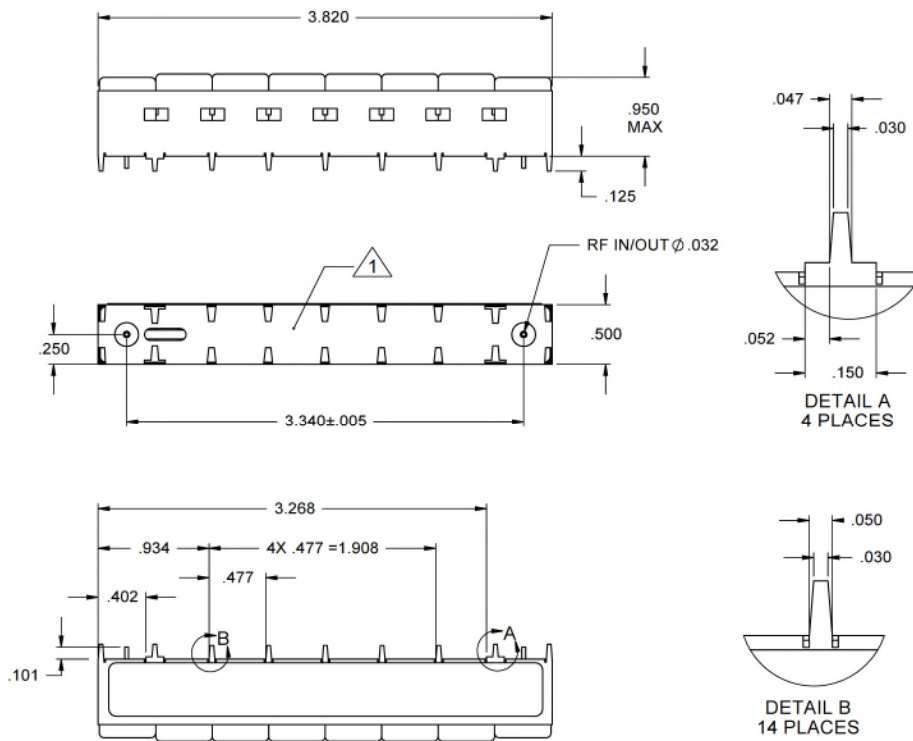
921.5 MHz Elliptic Ceramic Bandpass Filter



Features/Benefits

- Elliptic Ceramic Bandpass Filter
- Low Cost
- RoHS-compliant version available
- Made in U.S.A.

Parameter	Specification
Center Frequency (Fo)	921.5 MHz
3.0 dBc Passband (PB)	915 to 928.5 MHz, min
Insertion Loss	-4 dBa max from 915 MHz to 928 MHz
Return Loss	-13 dB from 915 MHz to 928 MHz
Rejection	-28 dBc min @ 907 MHz -25 dBc min @ 932 MHz -30 dBc min @ 933 MHz -25 dBc min across 933 MHz to 2000 MHz
Package Outline	IMC Document Number 618974
Temperature, Operating	-40°C to +80°C
Temperature, Storage	-55°C to +125°C
Temperature, Soldering	Wave solder only
Mechanical Dimensions	3.820 x 0.500 x 0.950 MAX inches



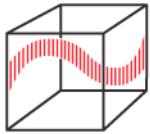
NOTES:

1. UNDIMENSIONED FEATURES ARE SUBJECT TO VARIATION.

UNLESS OTHERWISE SPECIFIED
DIMENSIONS ARE IN INCHES.
TOLERANCES ARE:

INCHES	MILLIMETERS
.XX ± .02	[X.X] ±.5
.XXX ± .020	[X.XX] ±.51
.XXXX ± .0020	[X.XXX] ±.051

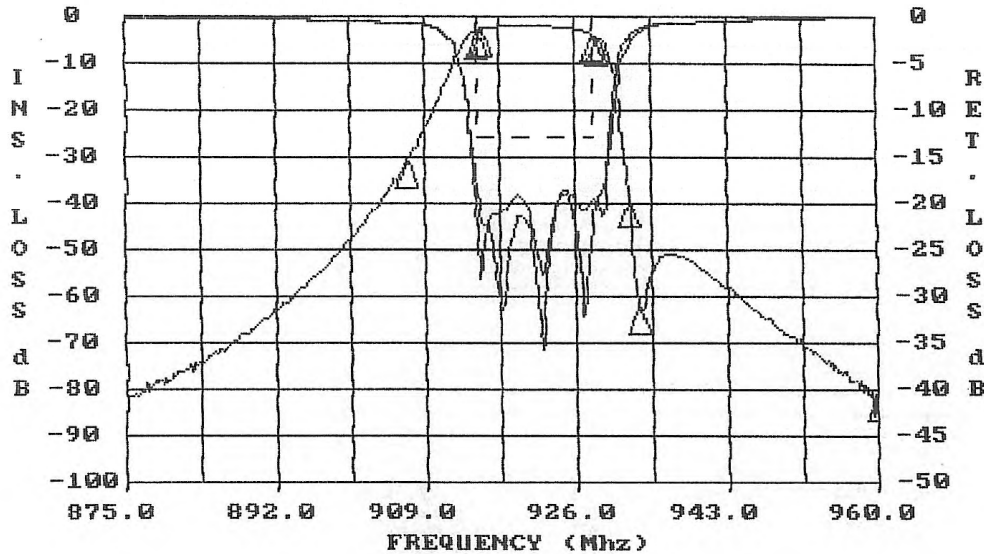
This document contains IMC proprietary information and is to be used only for the purposes for which it has been supplied and is not to be duplicated or disclosed in whole or in part without written permission from a duly authorized representative of IMC.



INTEGRATED MICROWAVE CO

IMC FSCM 60656

25 °C



IMC P/N 938638

REVISION N/A

TESTED BY 0717

07-08-2016

14:30:53

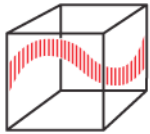
S/N

FREQUENCY (MHZ)	VALUE	SPEC	COMMENTS
907	-29.1 dbC	-28 dbC MIN	
932	-37.4 dbC	-25 dbC MIN	
933	-57.0 dbC	-30 dbC MIN	
915 - 928	-3.61 dbA	-4 dbA MAX	
915.5 - 928.5	-1.89 dbC	-3 dbC MAX	
933 - 960	-48.6 dbC	-25 dbC MIN	

VALUE	SPEC	COMMENTS
15.43 MHZ	10 MHZ MIN	-3dbC Width
921.311MHZ	915 MIN	Center Freq.
921.311MHZ	928 MAX	Center Freq.

FREQUENCY (MHZ)	VALUE	SPEC	COMMENTS
915 - 928	-18.5	-13 db MIN	(S11) - VSWR
915 - 928	-19.0	-13 db MIN	(S22) - VSWR

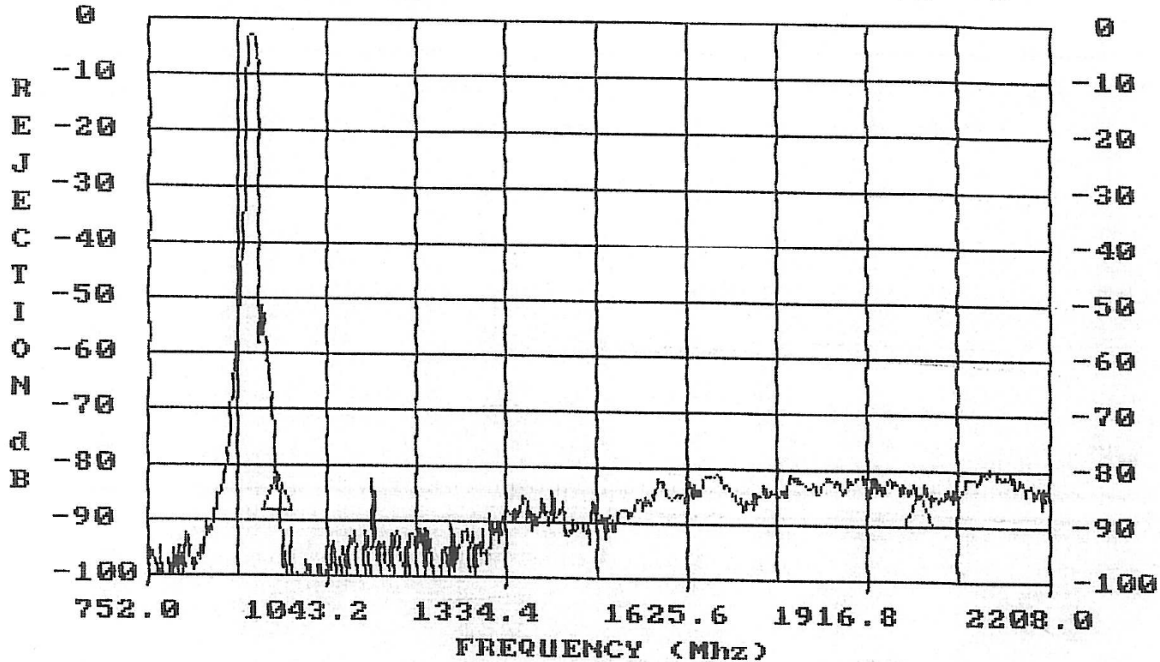
This document contains IMC proprietary information and is to be used only for the purposes for which it has been supplied and is not to be duplicated or disclosed in whole or in part without written permission from a duly authorized representative of IMC.



INTEGRATED MICROWAVE CO

IMC FSCM 60656

25 °C



IMC P/N 938638

REVISION N/A

TESTED BY 0717

07-08-2016

14:30:59

S/N

FREQUENCY (MHZ)	VALUE	SPEC	COMMENTS
960 - 2000	-78.6 dbc	-25 dbc MIN	

This document contains IMC proprietary information and is to be used only for the purposes for which it has been supplied and is not to be duplicated or disclosed in whole or in part without written permission from a duly authorized representative of IMC.