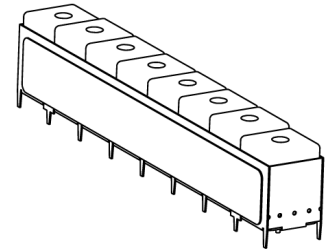


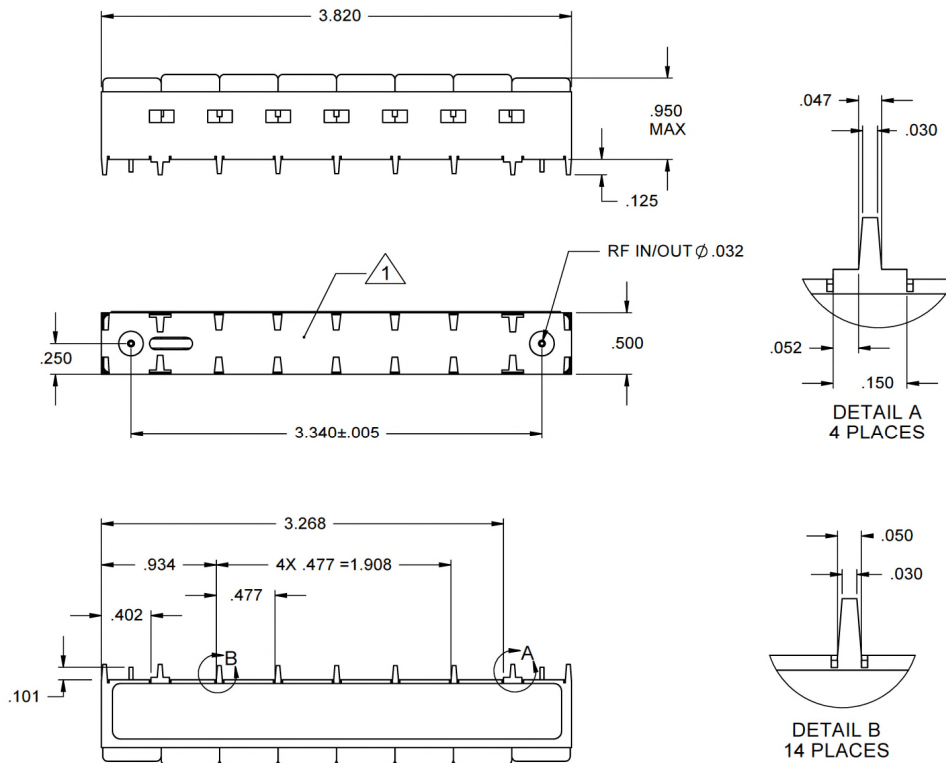
872 MHz Elliptic Ceramic Bandpass Filter

Features/Benefits

- Elliptic Ceramic Bandpass Filter
- Low Cost
- RoHS-compliant version available
- Made in U.S.A.



Parameter	Specification
Center Frequency (Fo)	872 MHz
3.0 dBc Passband (PB)	869 to 875 MHz, min
Return Loss	-12.75 dB from 869 MHz to 875 MHz
Rejection	-28 dBc min @ 858.5 MHz -25 dBc min @ 881.5 MHz -30 dBc min @ 882.5 MHz -25 dBc min across 883.5 MHz to 2000 MHz
Package Outline	IMC Document Number 618974
Temperature, Operating	-40°C to +85°C
Temperature, Storage	-55°C to +125°C
Temperature, Soldering	Wave solder only
Mechanical Dimensions	3.820 x 0.500 x 0.950 MAX inches



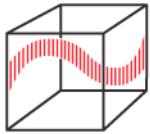
NOTES:

1. UNDIMENSIONED FEATURES ARE SUBJECT TO VARIATION.

UNLESS OTHERWISE SPECIFIED
DIMENSIONS ARE IN INCHES.
TOLERANCES ARE:

INCHES	MILLIMETERS
.XX ± .02	[X.X] ± .5
.XXX ± .020	[X.XX] ± .51
.XXXX ± .0020	[X.XXX] ± .051

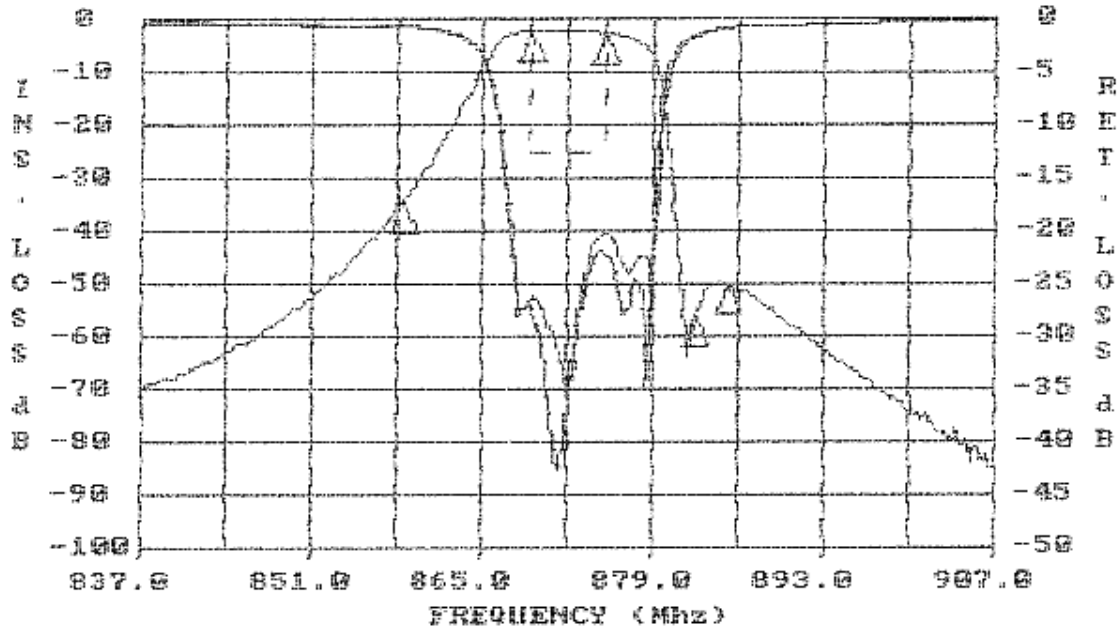
This document contains IMC proprietary information and is to be used only for the purposes for which it has been supplied and is not to be duplicated or disclosed in whole or in part without written permission from a duly authorized representative of IMC.



INTEGRATED MICROWAVE CO

IMC FSCM 60656

25 °C



IMC P/N 938929

REVISION

TESTED BY 9623

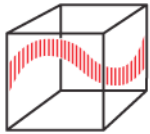
05-25-2010

12:51:21

S/N

FREQUENCY (MHZ)	VALUE	SPEC	COMMENTS
858.5	-31.9 dbC	-28 dbC MIN	
865.1	-47.6 dbC	-25 dbC MIN	
882.5	-53.5 dbC	-30 dbC MIN	
869 - 875	-2.82 dbA	-5.5 dbA MAX	
869 - 875	-.434 dbC	-2 dbC MAX	
	VALUE	SPEC	COMMENTS
	12.44 MHZ	5 MHZ MIN	-3dbC Width
	872.147MHZ	852 MIN	Center Freq.
	872.147MHZ	892 MAX	Center Freq.
FREQUENCY (MHZ)	VALUE	SPEC	COMMENTS
869 - 875	-21.8	-12.75db MIN	(S11) - VSWR
869 - 875	-20.1	-12.75db MIN	(S22) - VSWR

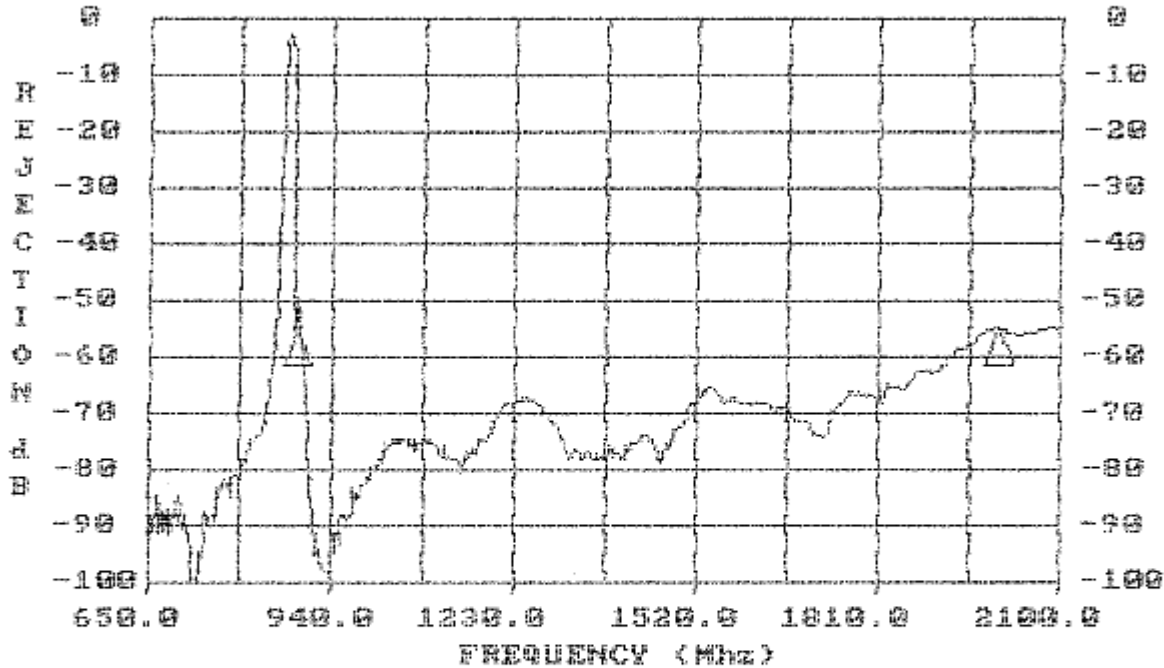
This document contains IMC proprietary information and is to be used only for the purposes for which it has been supplied and is not to be duplicated or disclosed in whole or in part without written permission from a duly authorized representative of IMC.



INTEGRATED MICROWAVE CO

IMC FSCM 60656

25 °C



IMC P/N 938929

REVISION

TESTED BY 9623

06-25-2010

12:51:22

S/N

FREQUENCY (MHZ)	VALUE	SPEC	COMMENTS
880.5 - 2000	-47.3 dbc	-25 dbc MIN	

This document contains IMC proprietary information and is to be used only for the purposes for which it has been supplied and is not to be duplicated or disclosed in whole or in part without written permission from a duly authorized representative of IMC.