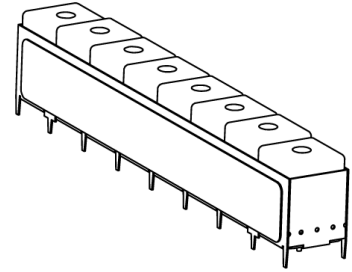


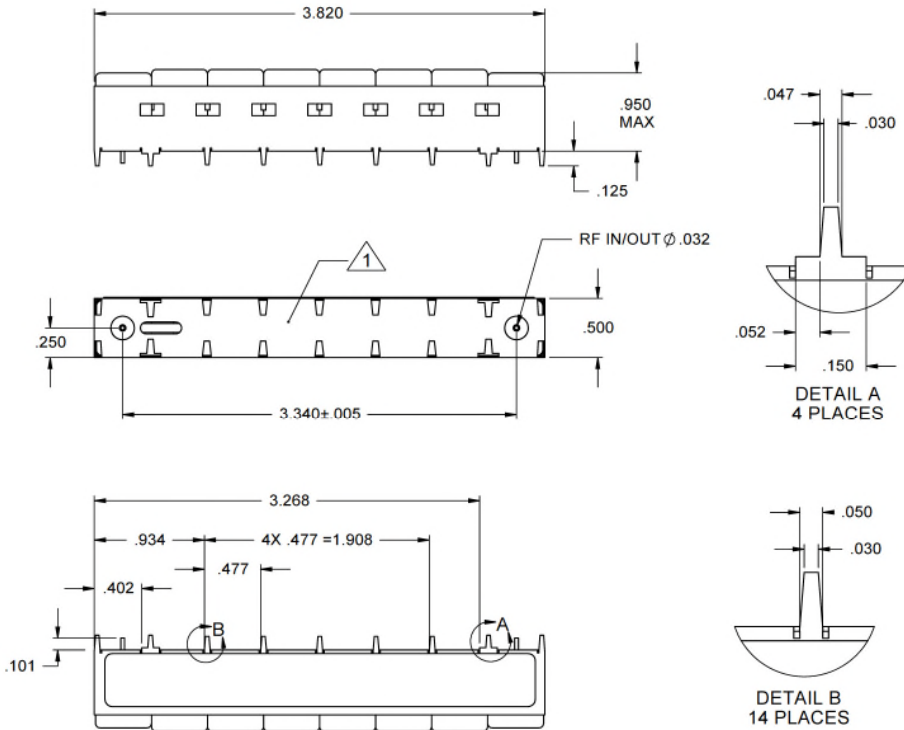
MHz Elliptic Ceramic Bandpass Filter

Features/Benefits

- Elliptic Ceramic Bandpass Filter
- Low Cost
- RoHS-compliant version available
- Made in U.S.A.



Parameter	Specification
Center Frequency (Fo)	919.5 MHz
Insertion Loss	-4 dBa max from 911.5 MHz to 924.5 MHz
Return Loss	-13 dB from 911.5 MHz to 924.5 MHz
Rejection	-28 dBc min @ 903 MHz -25 dBc min @ 929 MHz -30 dBc min @ 930 MHz -25 dBc min across 934 MHz to 1910 MHz
Package Outline	IMC Document Number 618974
Temperature, Operating	-40°C to +70°C
Temperature, Storage	-55°C to +125°C
Temperature, Soldering	Wave solder only
Mechanical Dimensions	3.820 x 0.500 x 0.950 MAX inches



NOTES:

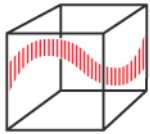
1. UNDIMENSIONED FEATURES ARE SUBJECT TO VARIATION.

UNLESS OTHERWISE SPECIFIED DIMENSIONS ARE IN INCHES.

TOLERANCES ARE:

INCHES	MILLIMETERS
.XX ± .02	[X.X] ± .5
.XXX ± .020	[X.XX] ± .51
.XXXX ± .0020	[X.XXX] ± .051

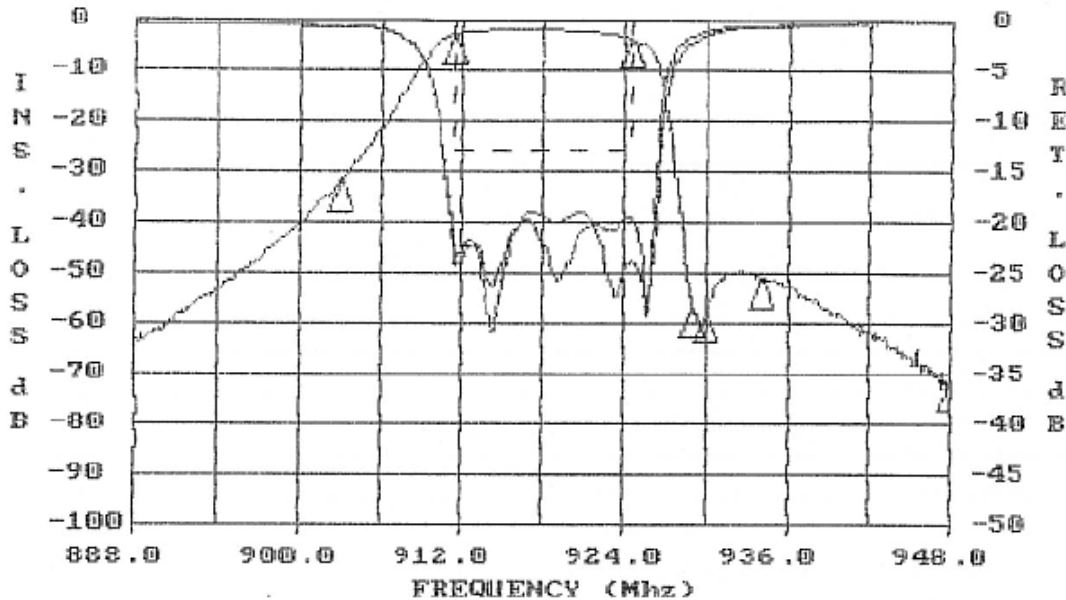
This document contains IMC proprietary information and is to be used only for the purposes for which it has been supplied and is not to be duplicated or disclosed in whole or in part without written permission from a duly authorized representative of IMC.



INTEGRATED MICROWAVE CO

IMC FSCM 60656

25 °C



IMC P/N 940589

REVISION

TESTED BY 9461

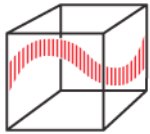
05-22-2013

12:27:44

S/N

FREQUENCY (MHZ)	VALUE	SPEC	COMMENTS
903	-29.6 dB	-28 dB MIN	
929	-54.5 dB	-25 dB MIN	
930	-55.7 dB	-30 dB MIN	
911.5 - 924.5	-3.75 dbA	-4 dbA MAX	
911.5 - 924.5	-1.58 dB	-3 dB MAX	
934 - 948	-48.2 dB	-25 dB MIN	
	VALUE	SPEC	COMMENTS
	15.49 MHZ	13 MHZ MIN	-3dB Width
	917.740MHZ	819.5 MIN	Center Freq.
	917.740MHZ	1019.5 MAX	Center Freq.
FREQUENCY (MHZ)	VALUE	SPEC	COMMENTS
911.5 - 924.5	-19.5	-13 db MIN	(S11) - VSWR
911.5 - 924.5	-19.1	-13 db MIN	(S22) - VSWR

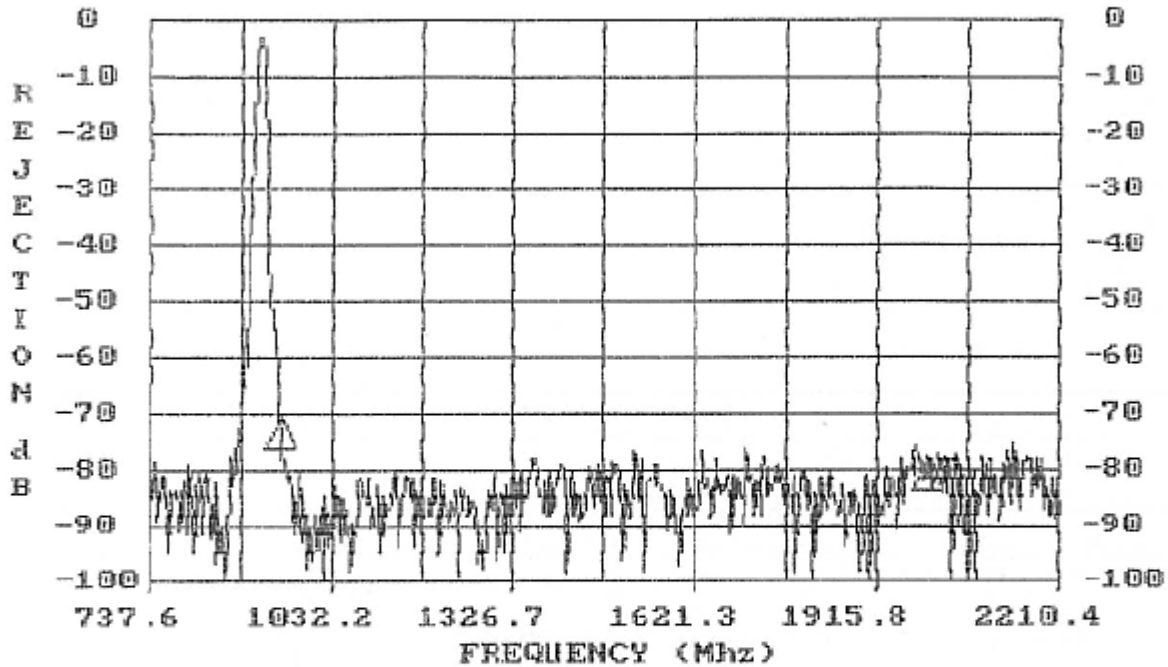
This document contains IMC proprietary information and is to be used only for the purposes for which it has been supplied and is not to be duplicated or disclosed in whole or in part without written permission from a duly authorized representative of IMC.



INTEGRATED MICROWAVE CO

IMC FSCM 60656

25 °C



IMC P/N 940589

REVISION

TESTED BY 9461

05-22-2013

12:27:44

S/N

FREQUENCY (MHZ)	VALUE	SPEC	COMMENTS
948 - 2000	-68.2 dBc	-25 dBc MIN	

This document contains IMC proprietary information and is to be used only for the purposes for which it has been supplied and is not to be duplicated or disclosed in whole or in part without written permission from a duly authorized representative of IMC.