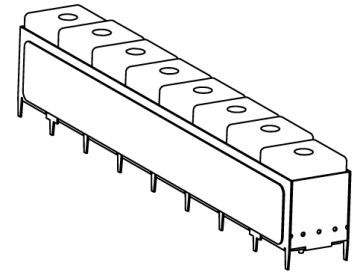


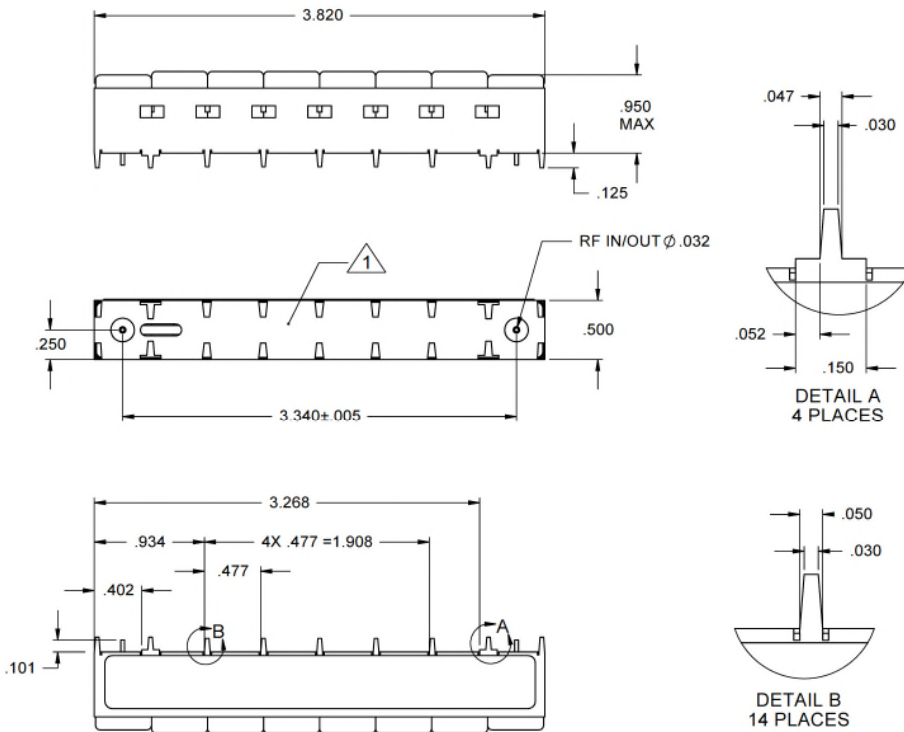
MHz Elliptic Ceramic Bandpass Filter

Features/Benefits

- Elliptic Ceramic Bandpass Filter
- Low Cost
- RoHS-compliant version available
- Made in U.S.A.



Parameter	Specification
Center Frequency (Fo)	920.5 MHz
Insertion Loss	-5 dBa max from 915.5 MHz to 924.5 MHz
Return Loss	-13 dB from 915.5 MHz to 924.5 MHz
Rejection	-28 dBc min @ 907 MHz -25 dBc min @ 929 MHz -30 dBc min @ 930 MHz -25 dBc min across 934 MHz to 1910 MHz
Package Outline	IMC Document Number 618974
Temperature, Operating	-40°C to +85°C
Temperature, Storage	-55°C to +125°C
Temperature, Soldering	Wave solder only
Mechanical Dimensions	3.820 x 0.500 x 0.950 MAX inches



NOTES:

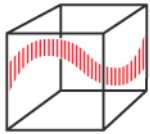
1. UNDIMENSIONED FEATURES ARE SUBJECT TO VARIATION.

UNLESS OTHERWISE SPECIFIED DIMENSIONS ARE IN INCHES.

TOLERANCES ARE:

INCHES	MILLIMETERS
.XX ± .02	[X.X] ± .5
.XXX ± .020	[X.XX] ± .51
.XXXX ± .0020	[X.XXX] ± .051

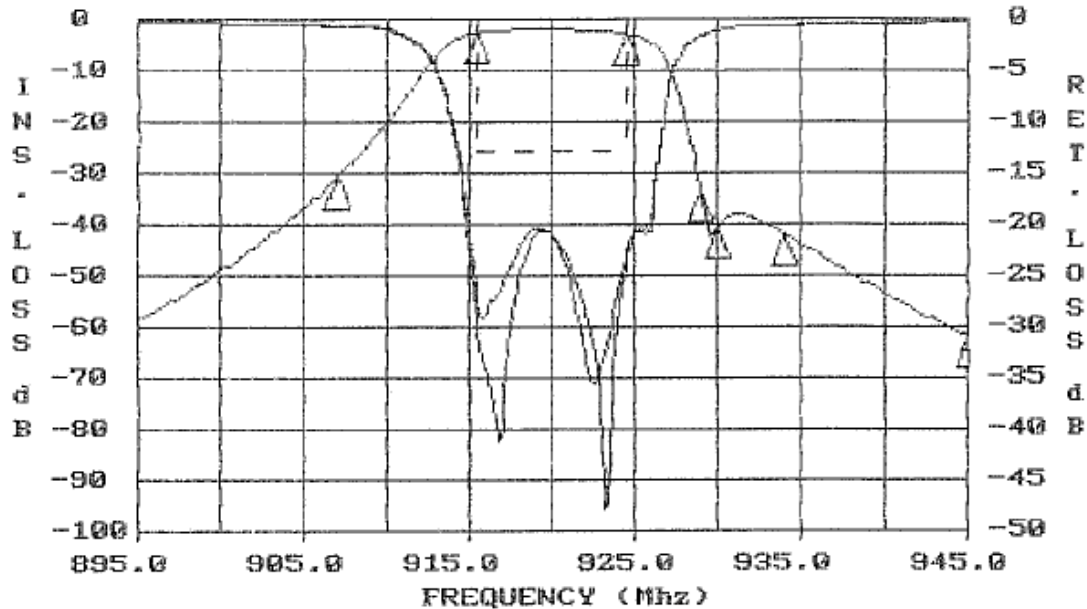
This document contains IMC proprietary information and is to be used only for the purposes for which it has been supplied and is not to be duplicated or disclosed in whole or in part without written permission from a duly authorized representative of IMC.



INTEGRATED MICROWAVE CO

IMC PSCM 60656

25 °C



IMC P/N 940590

REVISION

TESTED BY 9623

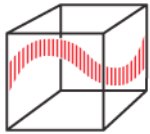
05-14-2013

15:06:16

S/N

FREQUENCY (MHZ)	VALUE	SPEC	COMMENTS
907	-28.6 dBc	-26 dBc MIN	
929	-31.5 dBc	-25 dBc MIN	
930	-38.4 dBc	-30 dBc MIN	
915.5 - 924.5	-3.00 dbA	-5 dbA MAX	
934 - 945	-39.7 dBc	-25 dBc MIN	
915.5 - 924.5	-.781 dBc	-3 dBc MAX	
	VALUE	SPEC	COMMENTS
	12.71 MHZ	9 MHZ MIN	-3dbC Width
	919.914MHZ	820.5 MIN	Center Freq.
	919.914MHZ	1020.5 MAX	Center Freq.
FREQUENCY (MHZ)	VALUE	SPEC	COMMENTS
915.5 - 924.5	-20.3	-13 db MIN	(S11) - VSWR
915.5 - 924.5	-20.7	-13 db MIN	(S22) - VSWR

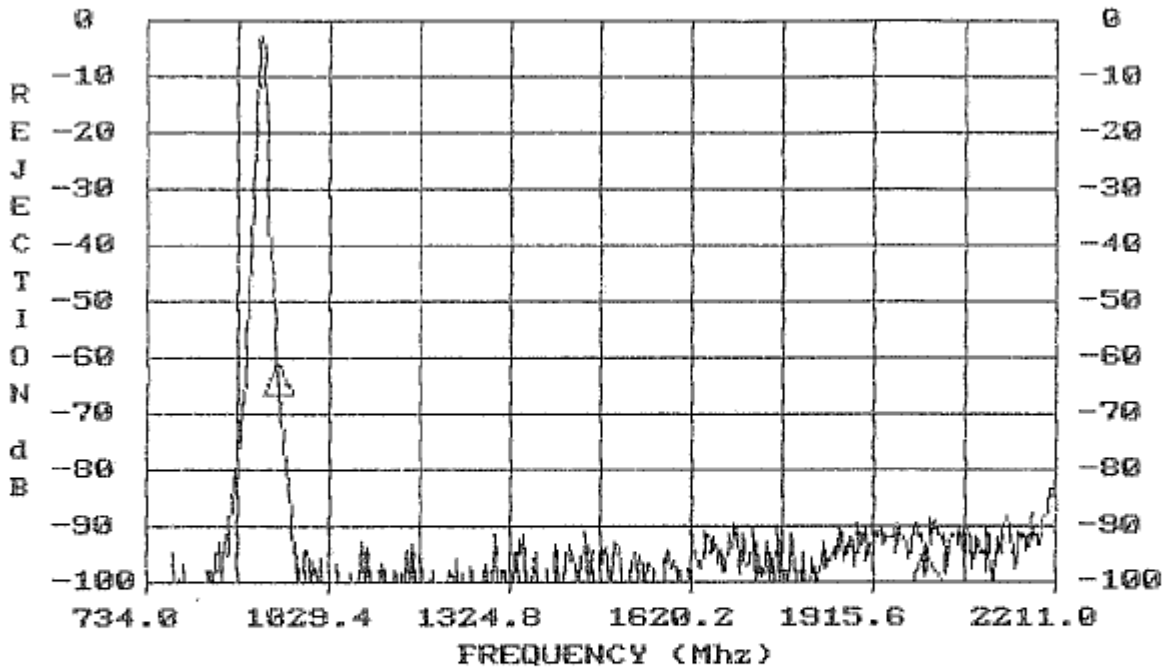
This document contains IMC proprietary information and is to be used only for the purposes for which it has been supplied and is not to be duplicated or disclosed in whole or in part without written permission from a duly authorized representative of IMC.



INTEGRATED MICROWAVE CO

IMC FSCM 60656

25 °C



IMC P/N 940590

REVISION

TESTED BY 9623

05-14-2013

15:06:16

S/N

FREQUENCY (MHZ)	VALUE	SPEC	COMMENTS
945 - 2000	-58.4 dbc	-25 dbc MIN	

This document contains IMC proprietary information and is to be used only for the purposes for which it has been supplied and is not to be duplicated or disclosed in whole or in part without written permission from a duly authorized representative of IMC.