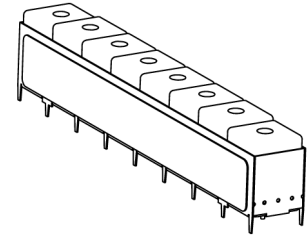


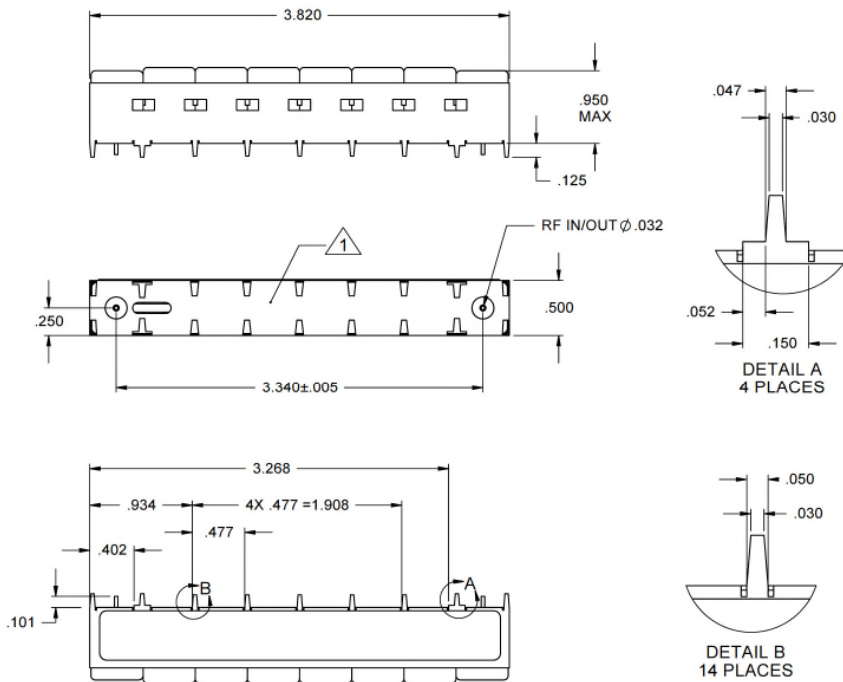
## 914.5 MHz Elliptic Ceramic Bandpass Filter

### Features/Benefits

- Elliptic Ceramic Bandpass Filter
- Low Cost
- RoHS-compliant
- Made in U.S.A.



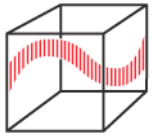
Parameter	Specification
Center Frequency (Fo)	914.5 MHz
3.0 dBc Passband (PB)	903 to 926.5 MHz, min
Insertion Loss	-5.0 dBa max across PB
VSWR	1.6:1 across PB (-12.74 dB)
Rejection	-28 dBc min @ 894 MHz -25 dBc min @ 929 MHz -30 dBc min @ 930 MHz -28 dBc min across 931 MHz to 2000 MHz
Package Outline	IMC Document Number 618974
Temperature, Operating	-40°C to +85°C
Temperature, Storage	-55°C to +125°C
Temperature, Soldering	Wave solder only
Mechanical Dimensions	3.820 x 0.500 x 0.950 MAX inches



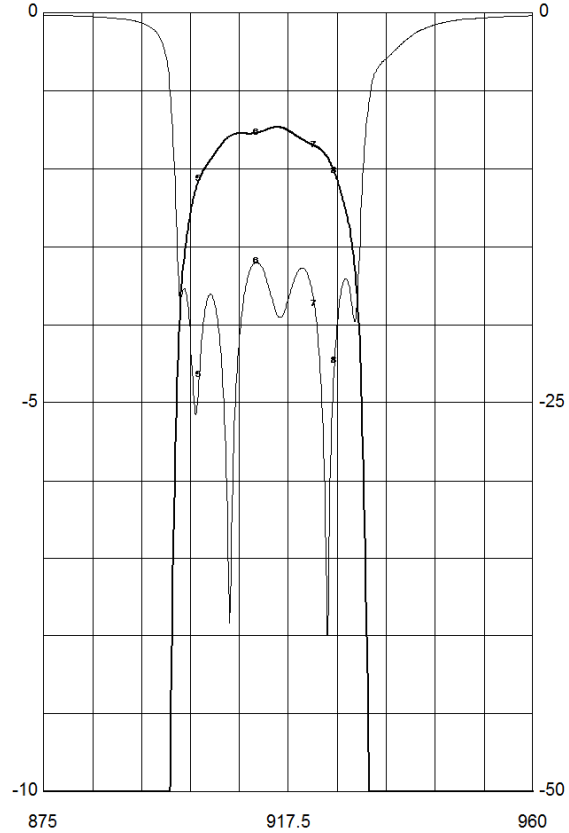
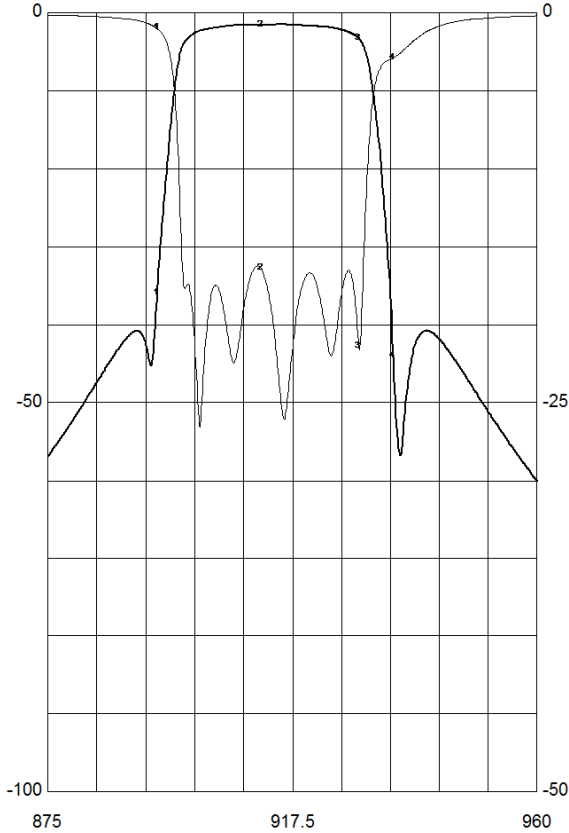
NOTES:  
 1. UNDIMENSIONED FEATURES ARE SUBJECT TO VARIATION.

UNLESS OTHERWISE SPECIFIED  
 DIMENSIONS ARE IN INCHES.  
 TOLERANCES ARE:  
 INCHES      MILLIMETERS  
 .XX ± .02      [X.X] ± .5  
 .XXX ± .020      [X.XX] ± .51  
 .XXXX ± .0020      [X.XXX] ± .051

This document contains IMC proprietary information and is to be used only for the purposes for which it has been supplied and is not to be duplicated or disclosed in whole or in part without written permission from a duly authorized representative of IMC.



Eagleware Jul 05 11:37:04 2016 942225A.SCH RF(50)



DB[S21]		DB[S11]		DB[S21]		DB[S22]	
894	912	929	935	902	912	922	925.5
-36.0109	-1.53644	-3.23077	-44.0031	-2.13502	-1.53644	-1.69965	-2.03727
-0.982643	-16.3778	-21.4093	-2.853	-23.2524	-15.9675	-18.7251	-22.3651

This document contains IMC proprietary information and is to be used only for the purposes for which it has been supplied and is not to be duplicated or disclosed in whole or in part without written permission from a duly authorized representative of IMC.