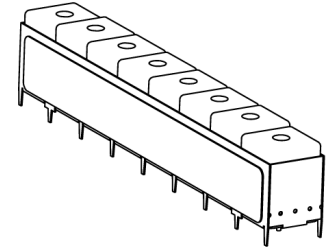


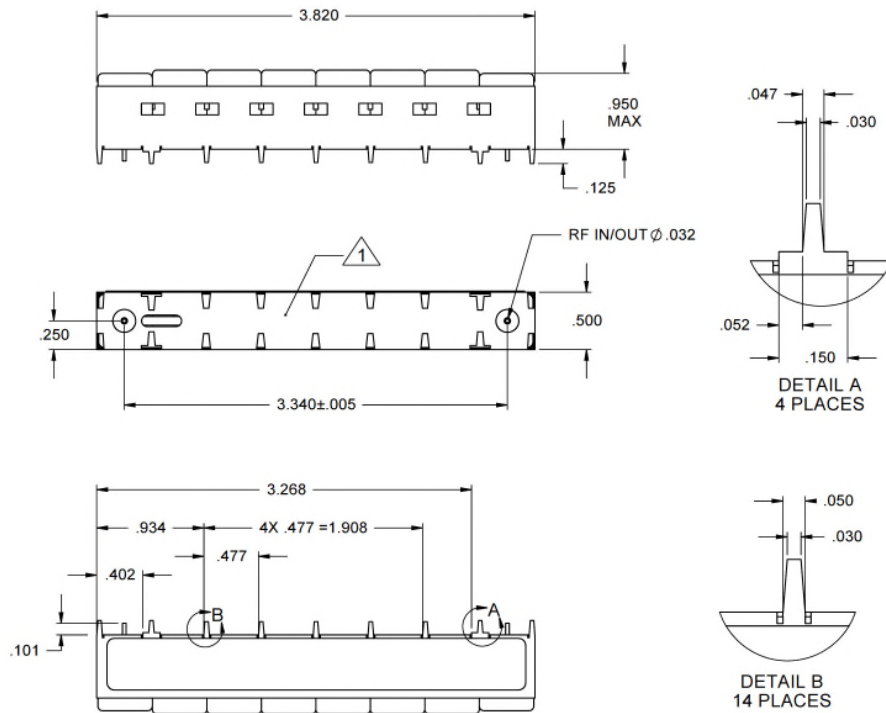
## 921.5 MHz Elliptic Ceramic Bandpass Filter



### Features/Benefits

- Elliptic Ceramic Bandpass Filter
- Low Cost
- RoHS-compliant
- Made in U.S.A.

Parameter	Specification
Center Frequency (Fo)	921.5 MHz
3.0 dBc Passband (PB)	915 to 928.5 MHz, min
Insertion Loss	-4 dBa max from 915 MHz to 928 MHz
Return Loss	-13 dB from 915 MHz to 928 MHz
Rejection	-28 dBc min @ 907 MHz -25 dBc min @ 932 MHz -30 dBc min @ 933 MHz -25 dBc min across 933 MHz to 2000 MHz
Package Outline	IMC Document Number 618974
Temperature, Operating	-40°C to +80°C
Temperature, Storage	-55°C to +125°C
Temperature, Soldering	Wave solder only
Mechanical Dimensions	3.820 x 0.500 x 0.950 MAX inches



NOTES:

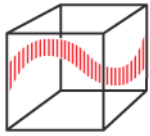
1. UNDIMENSIONED FEATURES ARE SUBJECT TO VARIATION.

UNLESS OTHERWISE SPECIFIED DIMENSIONS ARE IN INCHES.

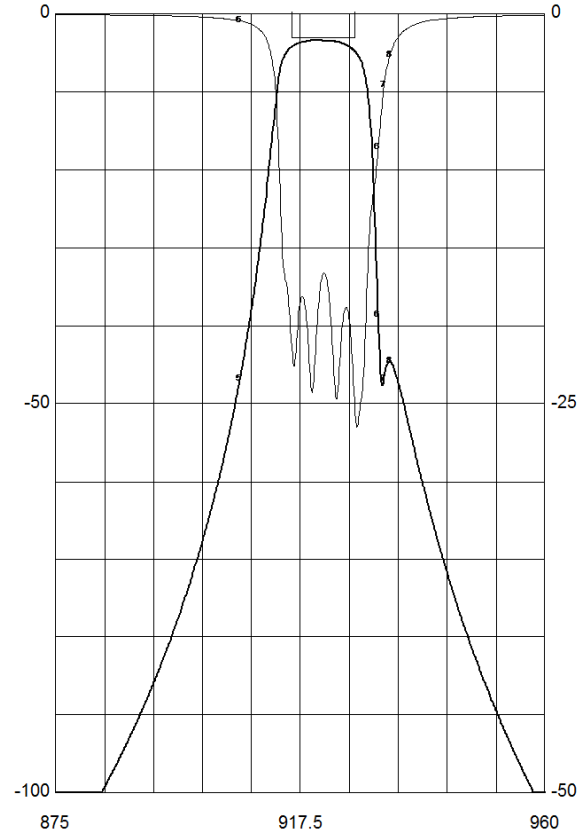
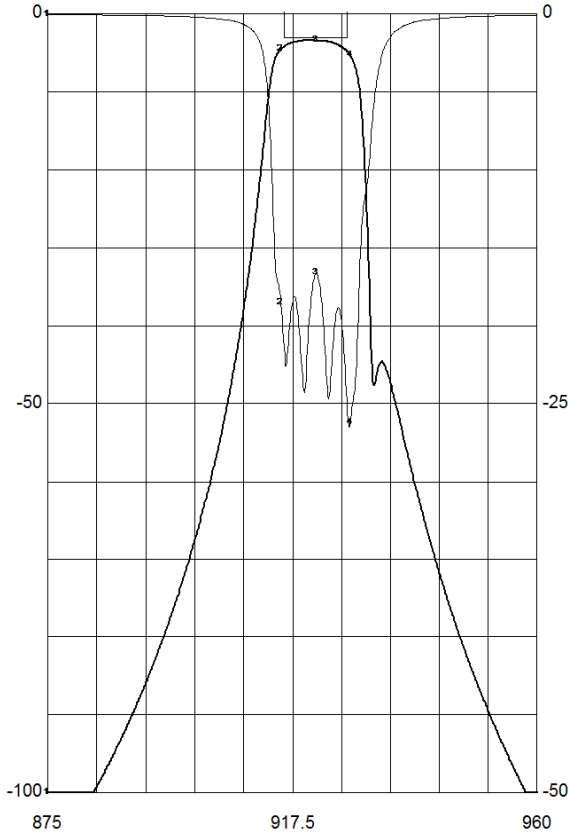
TOLERANCES ARE:

INCHES	MILLIMETERS
.XX ± .02	[X.X] ± .5
.XXX ± .020	[X.XX] ± .51
.XXXX ± .0020	[X.XXX] ± .051

This document contains IMC proprietary information and is to be used only for the purposes for which it has been supplied and is not to be duplicated or disclosed in whole or in part without written permission from a duly authorized representative of IMC.



Eagleware Jul 05 11:36:41 2016 942226A.SCH RF(50)



— DB[S21]

875	915.5
-109.776	-4.49323
-.035003	-18.545

— DB[S11]

921.5	927.5
-3.39453	-5.25134
-16.6114	-26.249

— DB[S21]

907	931
-46.8743	-38.6105
-0.429832	-8.57364

— DB[S22]

932	933
-46.7854	-44.5962
-4.59722	-2.66126

This document contains IMC proprietary information and is to be used only for the purposes for which it has been supplied and is not to be duplicated or disclosed in whole or in part without written permission from a duly authorized representative of IMC.