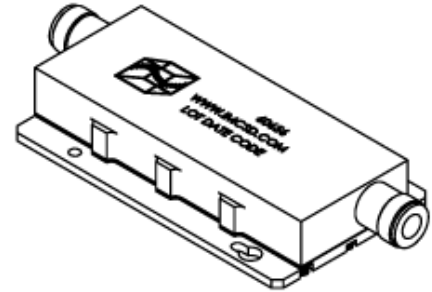


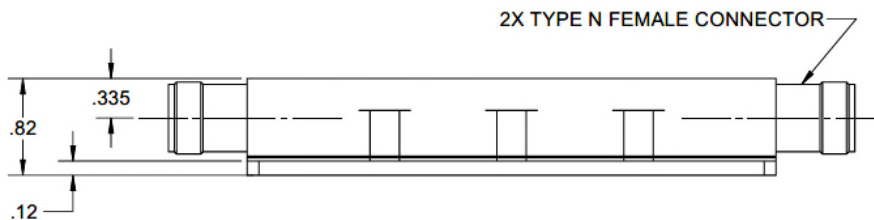
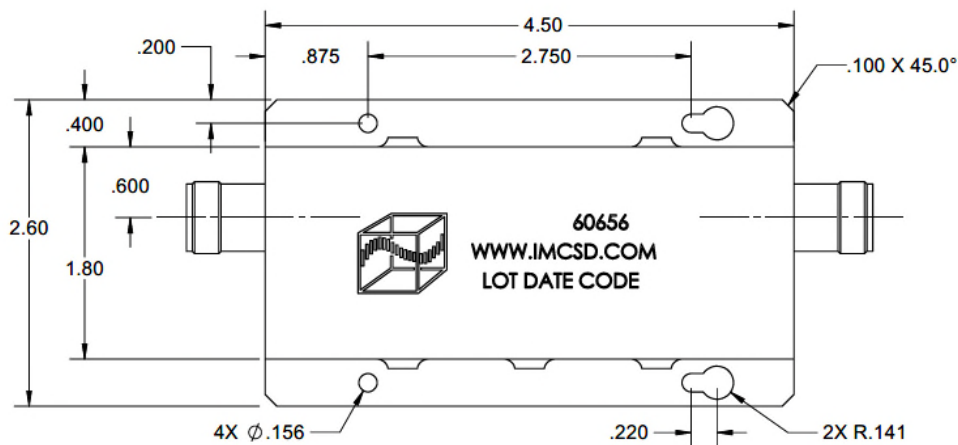
915 MHz Elliptic Ceramic Bandpass Filter

Features/Benefits

- Elliptic Ceramic Bandpass Filter
- Weather Resistant.
- Nickel Plated
- Type N Female connectors
- Made in U.S.A.



Parameter	Specification
Center Frequency (Fo)	915 MHz
3.0 dBc Passband (PB)	902 to 928 MHz, min
Insertion Loss	-5.0 dBa max across PB
VSWR	1.6:1 across PB (-12.74 dB)
Rejection	-28 dBc min @ 893 MHz -25 dBc min @ 930.5 MHz -30 dBc min @ 931.5 MHz -28 dBc min across 931 MHz to 2000 MHz
Package Outline	IMC Document Number 623281
Temperature, Operating	-40°C to +85°C
Temperature, Storage	-55°C to +125°C
Mechanical Dimensions	4.50 x 2.60 x 0.82 inches

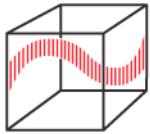


UNLESS OTHERWISE SPECIFIED
DIMENSIONS ARE IN INCHES.

TOLERANCES ARE:

INCHES	MILLIMETERS
.XX ± .02	[X.X] ±.5
.XXX ± .005	[X.XX] ±.13
.XXXX ± .0020	[X.XXX] ±.051

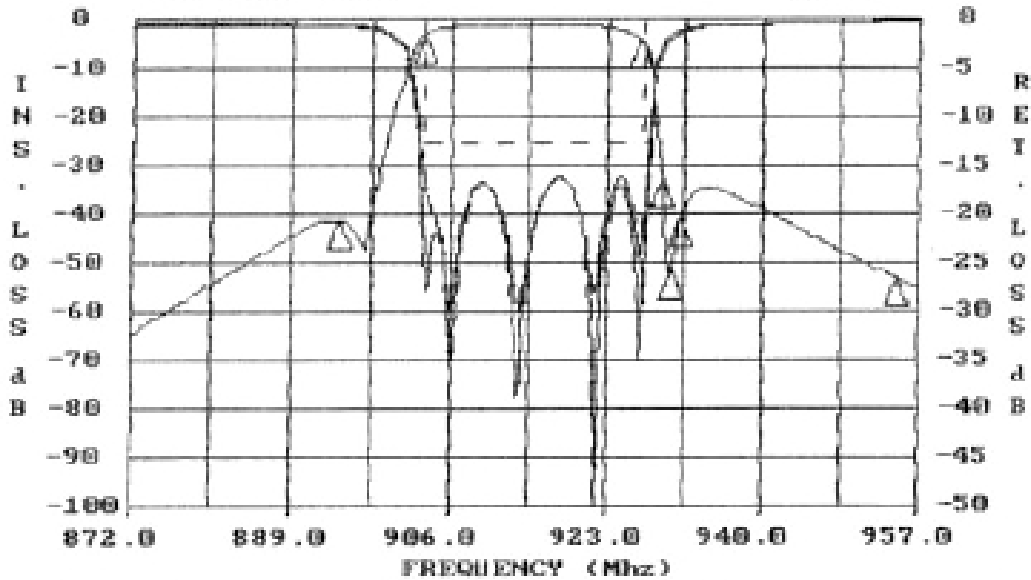
This document contains IMC proprietary information and is to be used only for the purposes for which it has been supplied and is not to be duplicated or disclosed in whole or in part without written permission from a duly authorized representative of IMC.



INTEGRATED MICROWAVE CO

IMC FSCM 60656

25 °C



FREQUENCY (MHZ)	VALUE	SPEC	COMMENTS
893	-39.6 dBc	-28 dBc MIN	
930.5	-31.1 dBc	-25 dBc MIN	
931.5	-50.9 dBc	-30 dBc MIN	
902 - 928	-3.89 dbA	-5 dbA MAX	
902 - 928	-2.45 dBc	-3 dBc MAX	
932.5 - 954.5	-33.3 dBc	-28 dBc MIN	

FREQUENCY (MHZ)	VALUE	SPEC	COMMENTS
954 - 2000	-50.9 dBc	-28 dBc MIN	

FREQUENCY (MHZ)	VALUE	SPEC	COMMENTS
902 - 928	-14.8	1.6 :1 MAX	(911) - VSWR
902 - 928	-15.3	1.6 :1 MAX	(522) - VSWR

This document contains IMC proprietary information and is to be used only for the purposes for which it has been supplied and is not to be duplicated or disclosed in whole or in part without written permission from a duly authorized representative of IMC.